

Pressure sensor liquids

Active sensor (0...10V) for pressure measurement in HVAC systems. The sensor is suitable for water, water/glycol mixtures and air. The housing is made of stainless steel and is NEMA 4 / IP65 rated.



5-year warranty

Type Overview

Type	Measuring range pressure [psi]	Output signal active pressure	Overpressure	Burst pressure
22WP-531	0...15	4...20 mA	30 psi	45 psi
22WP-534	0...50	4...20 mA	100 psi	150 psi
22WP-536	0...100	4...20 mA	200 psi	300 psi
22WP-537	0...200	4...20 mA	400 psi	600 psi
22WP-53G	0...580	4...20 mA	1160 psi	1740 psi

Technical data

Electrical Data	Nominal voltage	DC 24 V
	Nominal voltage range	DC 13.5...26.4 V
	Power consumption DC	0.5 W
	Electrical connection	Connector Plug for wire 0.5...1.5 mm ²
	Cable entry	MVS plug According to DIN EN175301-803 / Type A
Functional Data	Sensor Technology	strain gauge on stainless steel membrane
	Application	water Water-glycol mixture
	Current output	1x 4...20 mA, max. resistance 500 Ω
	Mechanical connection	pressure connector: 1/4" NPT
	Response time	max. 2 ms
Measuring Data	Measured values	relative pressure
	Accuracy pressure	±0.5% FS (Full scale) @ 25°C [77°F]
	Long-term stability	±0.1% p.a.
	Total errors for final temperatures	at maximum temperatures -40°C [-40°F]: ≤ 2% FS 105°C [221°F]: ≤ 2% FS
Materials	Housing seal	FKM fluororubber, Silicone-free
	Housing	Stainless steel 1.4301
Safety Data	Protection class IEC/EN	III, Protective Extra-Low Voltage (PELV)
	Degree of protection IEC/EN	IP65
	Degree of protection NEMA/UL	NEMA 4
	EU Conformity	CE Marking
	Certification IEC/EN	IEC/EN 60730-1
	Quality Standard	ISO 9001
	Ambient humidity	Max. 95% RH, non-condensing
	Ambient temperature	-40...220°F [-40...105°C]

Safety Data	Fluid temperature	-40...255°F [-40...125°C]
		At a fluid temperature of < 2°C [< 36°F], frost protection must be guaranteed

Safety Notes


This device has been designed for use in stationary heating, ventilation and air-conditioning systems and must not be used outside the specified field of application. Unauthorized modifications are prohibited. The product must not be used in relation with any equipment that in case of a failure may threaten humans, animals or assets.

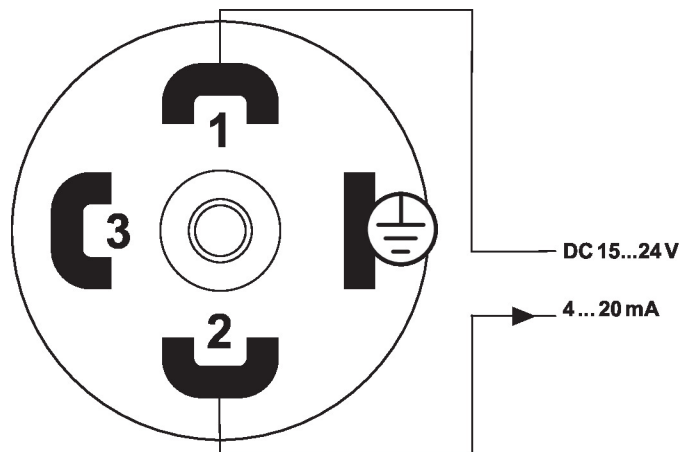
Ensure all power is disconnected before installing. Do not connect to live/operating equipment.

Only authorized specialists may carry out installation. All applicable legal or institutional installation regulations must be complied during installation.

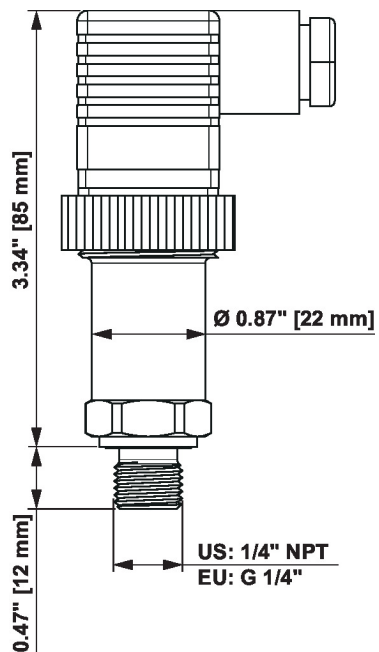
The device contains electrical and electronic components and must not be disposed of as household refuse. All locally valid regulations and requirements must be observed.

Accessories

Optional accessories	Description	Type
	Reduction adapter, 1/4" NPT (internal thread) to 1/2" NPT (external thread)	A-22WP-A01

Wiring Diagram


Dimensions



Type	Weight
22WP-531	0.26 lb [0.12 kg]
22WP-534	0.26 lb [0.12 kg]
22WP-536	0.26 lb [0.12 kg]
22WP-537	0.26 lb [0.12 kg]
22WP-53G	0.26 lb [0.12 kg]

Further documentation

- Installation instructions